

# POLAK PV



- *Photovoltaic aluminum profiles*
- *Mounting systems mounted on the ground and roofs*
- *Fastening elements for assembly systems*



## About Us

**PV POLAK** is a Polish company founded in 2019. Our headquarter and warehouse are based in Czestochowa, Poland.

The aim of our company is to deliver the highest quality components for the assembly of photovoltaic installations for all market segments: *photovoltaic installers, retail customers, companies and solar farm developers.*

Our assortment includes photovoltaic panels of reputable brands, aluminium ground structures, profiles and fasteners for assembly systems, car industrial ports, solar cables, inverters, energy storage and heat pumps.

Our employees have extensive experience and the necessary knowledge thanks to which we always provide professional advice for our clients on the selection of individual components. Our company guarantees a fast order fulfillment time.

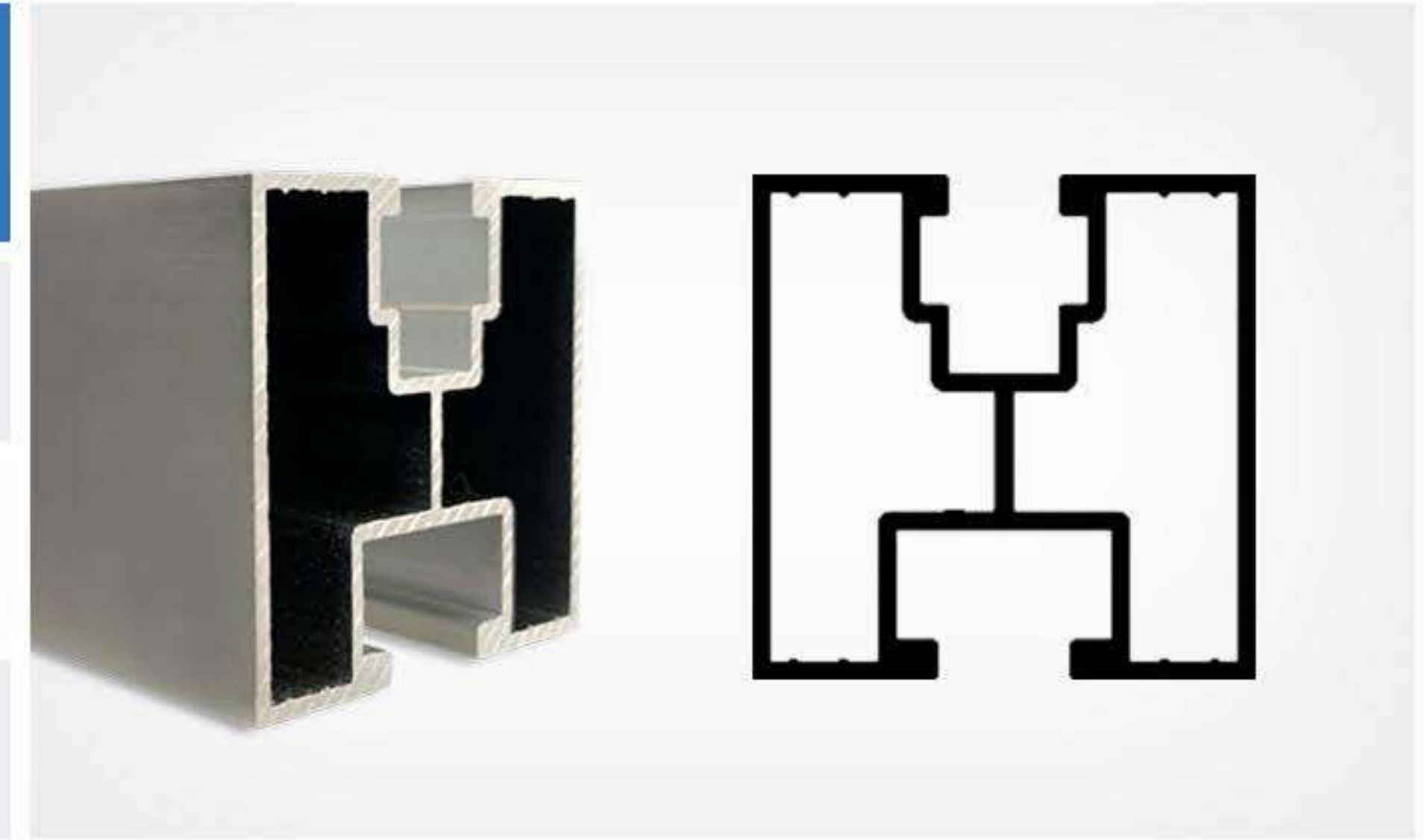
**PV Polak** is a guarantee of the highest quality and certified products from the best manufacturers with the necessary safety and compliance certificates.

Thing that describes us is the highest quality of professional sales service. We sell wholesale and retail by direct shipping throughout Europe.

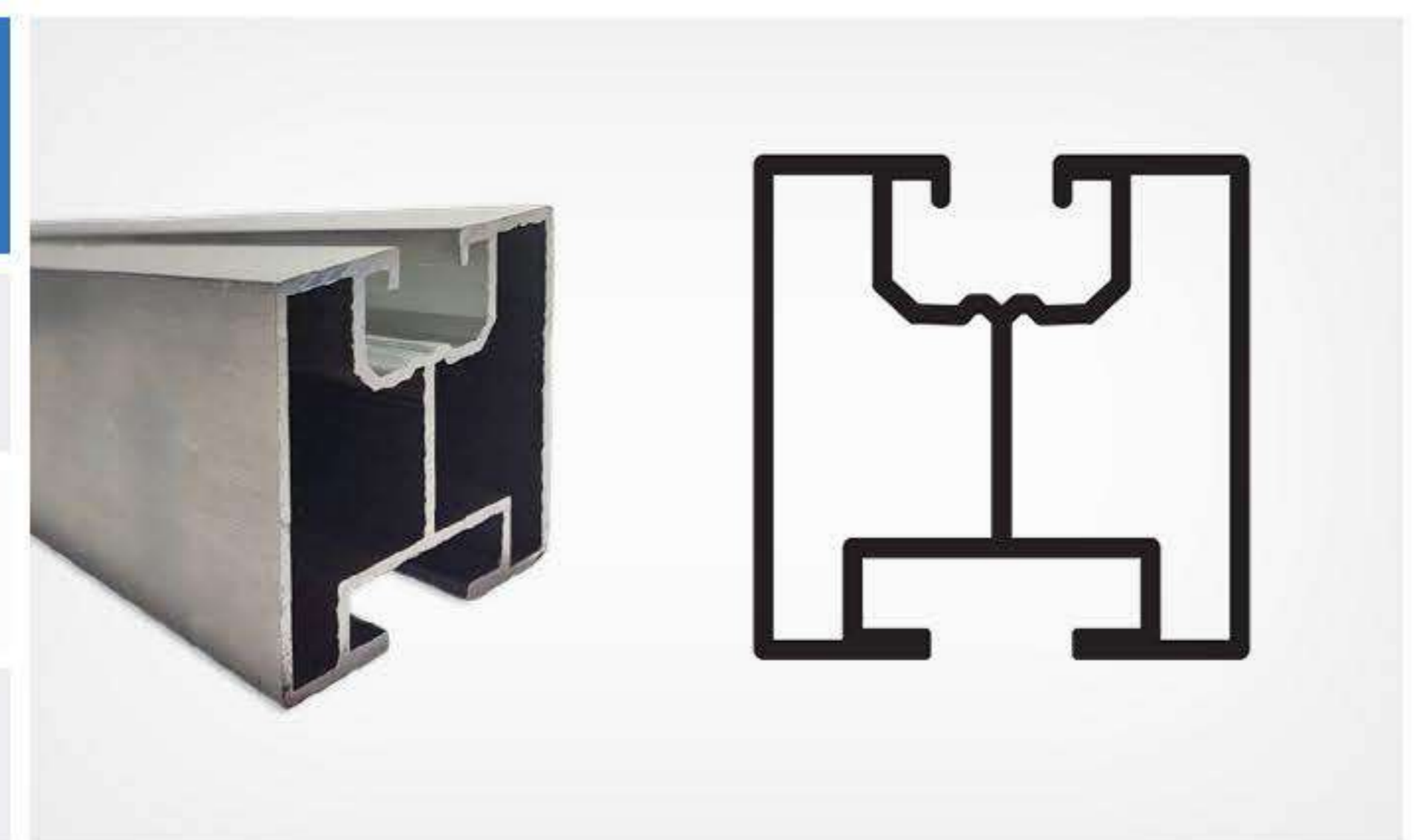
If there is no product in our assortment you are looking for and you are interested in buying it we will gladly bring it especially for you!

**We invite everyone interested in the offer, both individual and wholesale customers, to contact us!**

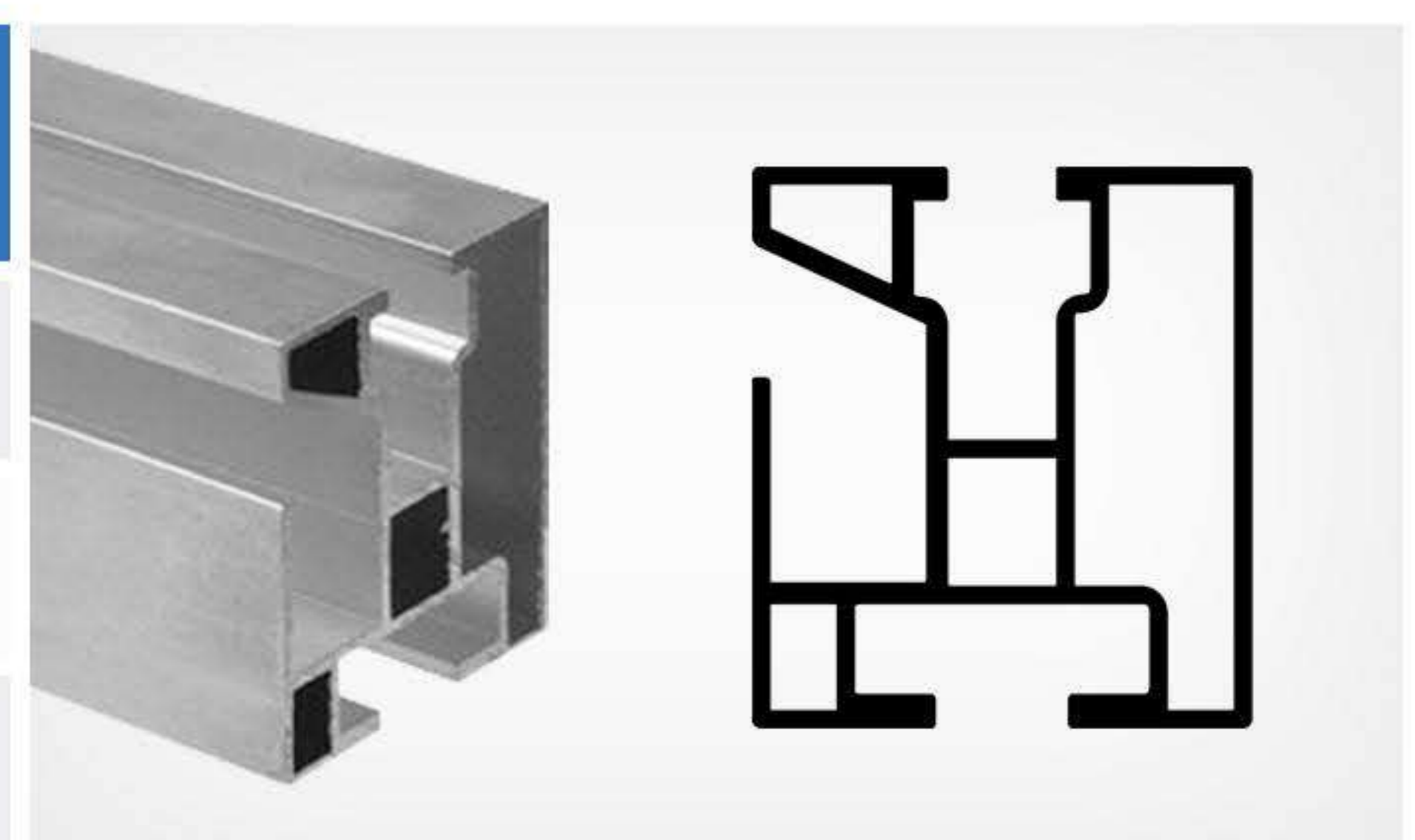
Profile for hexagon screw (raw, black)	
Material	Aluminum
Dimensions (mm)	40 / 40/ 1,2
Weight (kg/m)	0,81



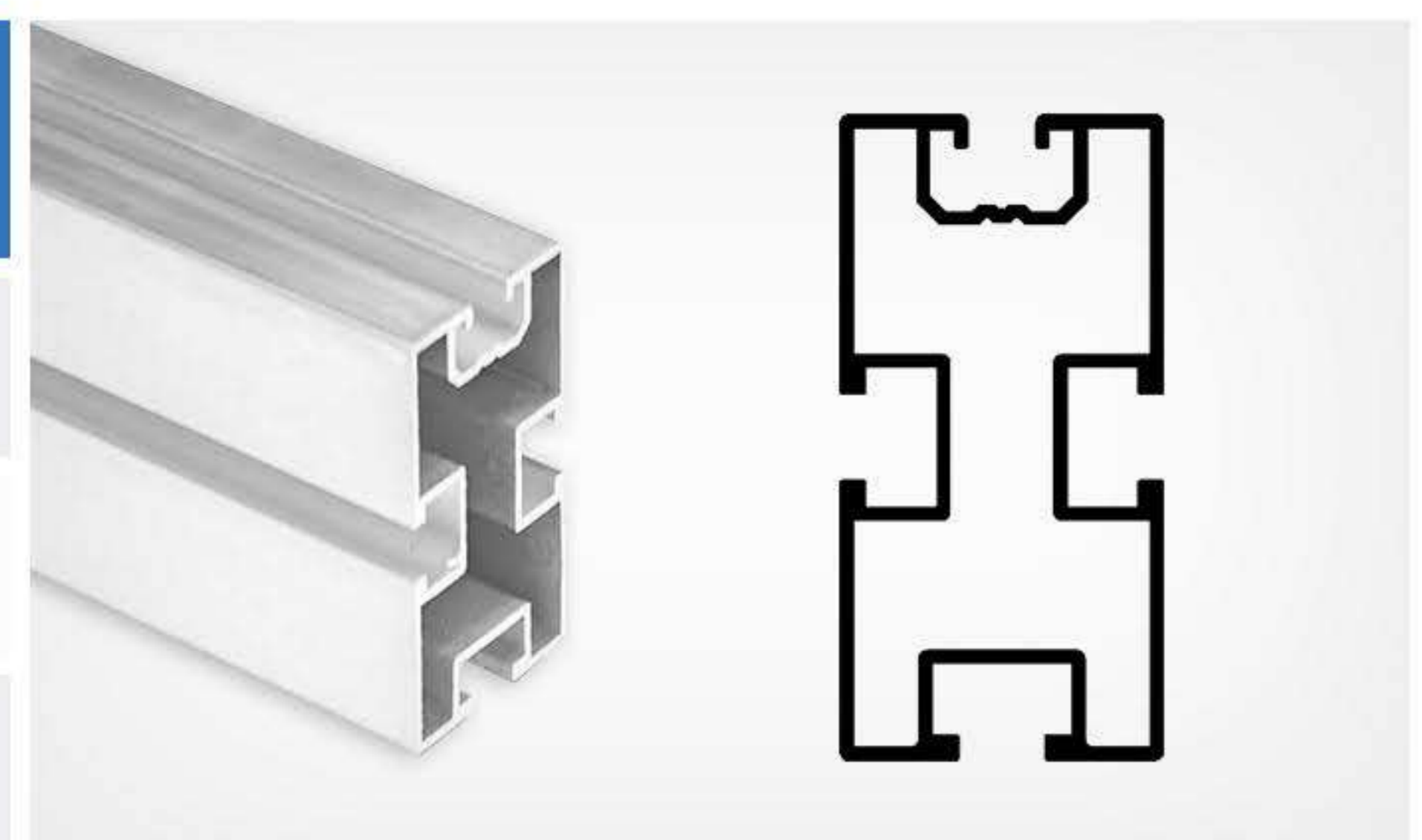
Profile for T-Bolt	
Material	Aluminum
Dimensions (mm)	40 / 40/ 1,3
Weight (kg/m)	0,89



Profile for T-Bolt and Cable	
Material	Aluminum
Dimensions (mm)	40 / 45/ 1,3
Weight (kg/m)	1



Profile reinforced 80x40	
Material	Aluminum
Dimensions (mm)	80 / 40/ 1,3
Weight (kg/m)	1,55



Angle bracket (3mm)	
Material	Aluminum
Dimensions (mm)	40x40x3
Weight (kg/m)	0,63

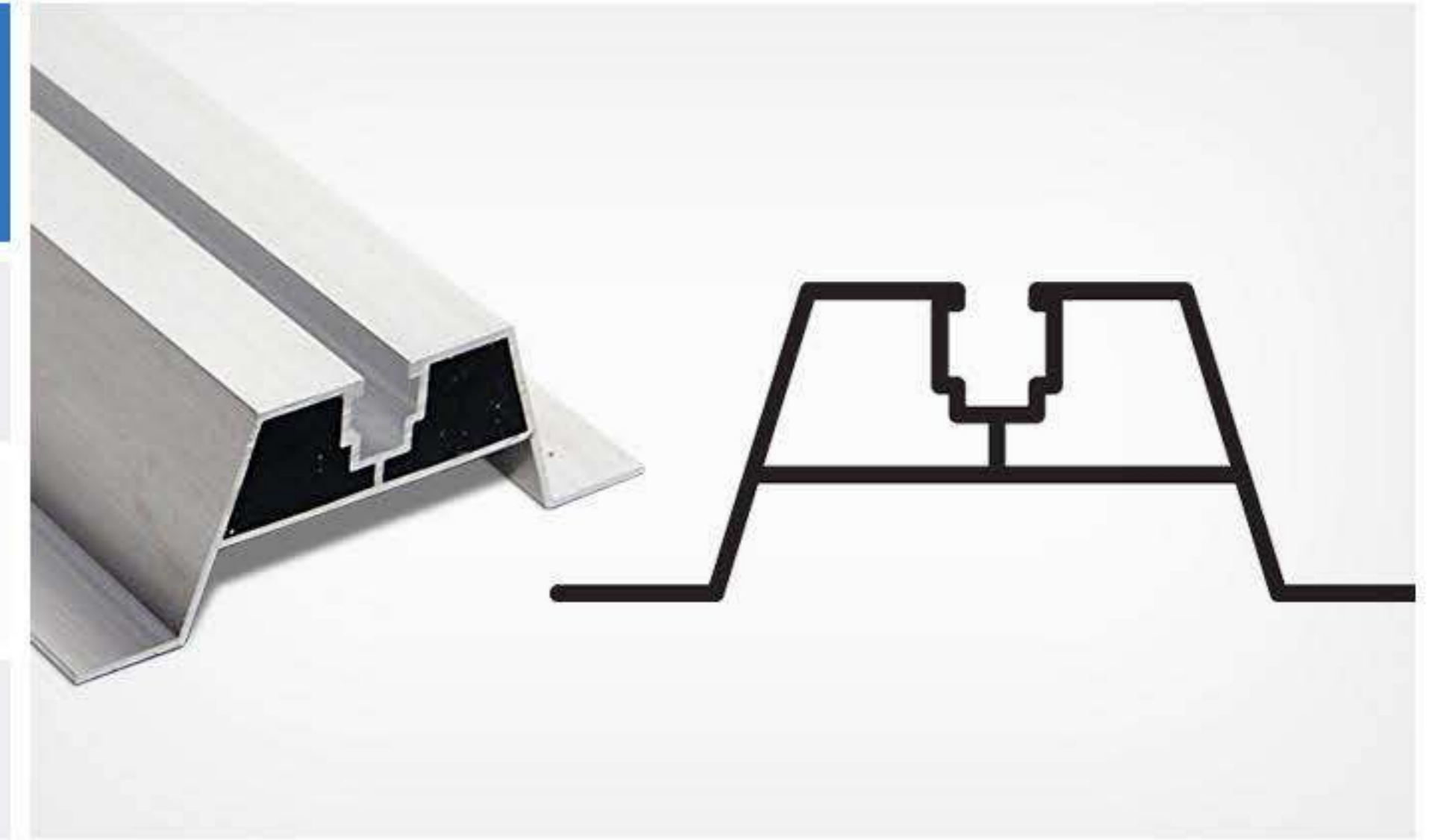


Angle bracket (4mm)	
Material	Aluminum
Dimensions (mm)	40x40x4
Weight (kg/m)	0,83



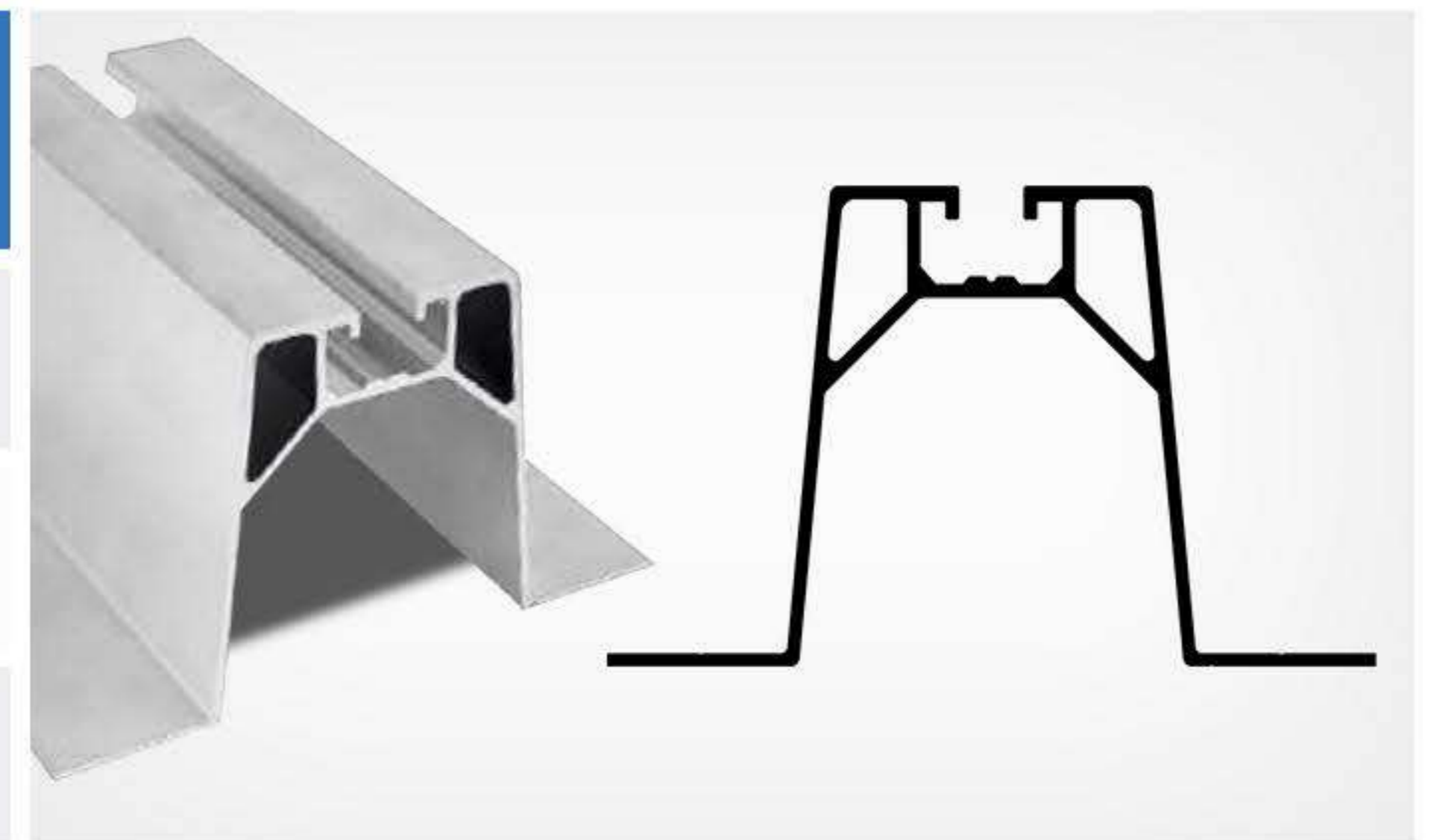
## Low trapezoidal bridge: T40

Material	Aluminum
Dimensions (mm)	114 / 40 / 1,6
Weight (kg/m)	1,2



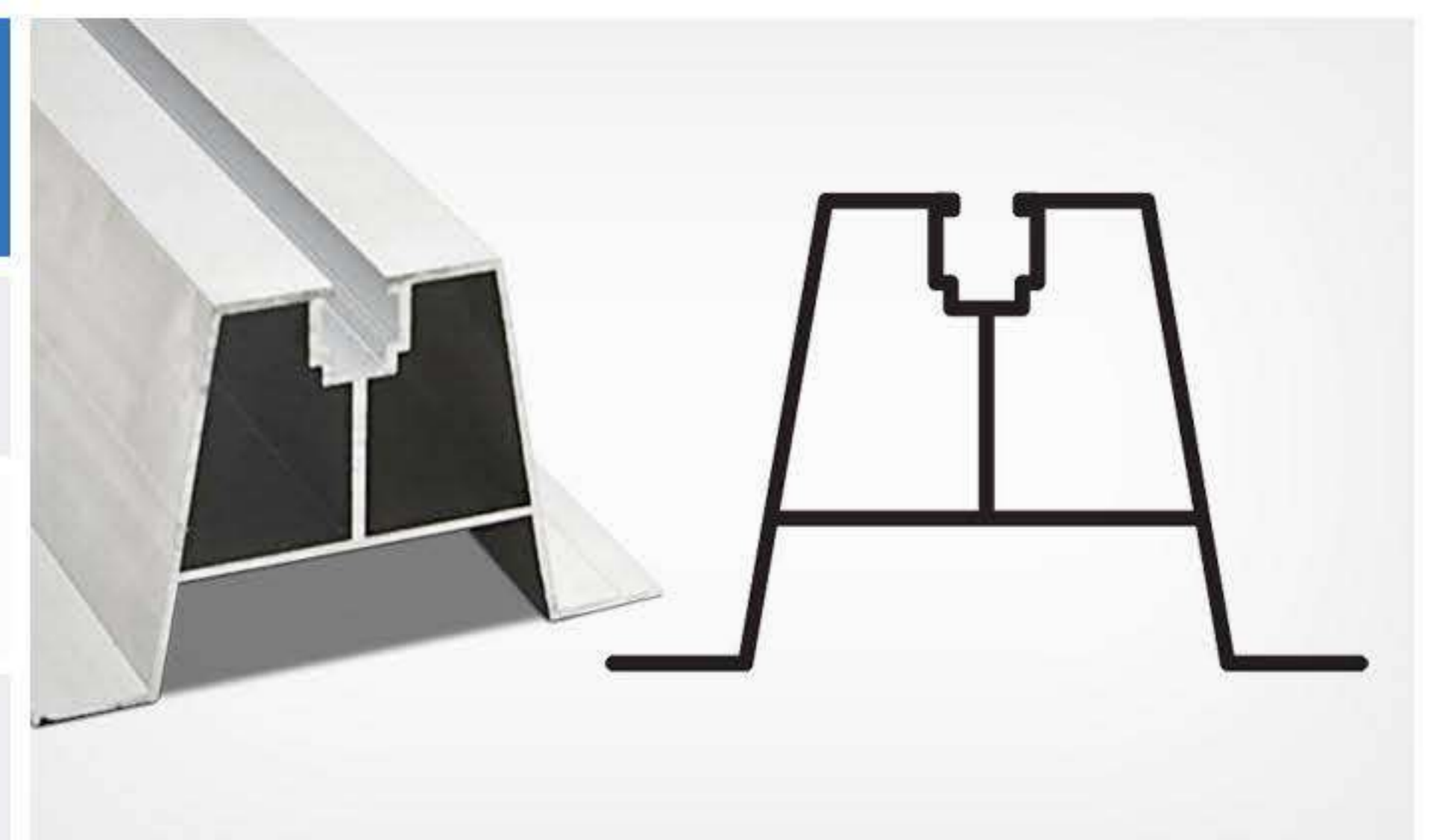
## High trapezoidal bridge: T60

Material	Aluminum
Dimensions (mm)	140 / 96 / 60
Weight (kg/m)	1,09



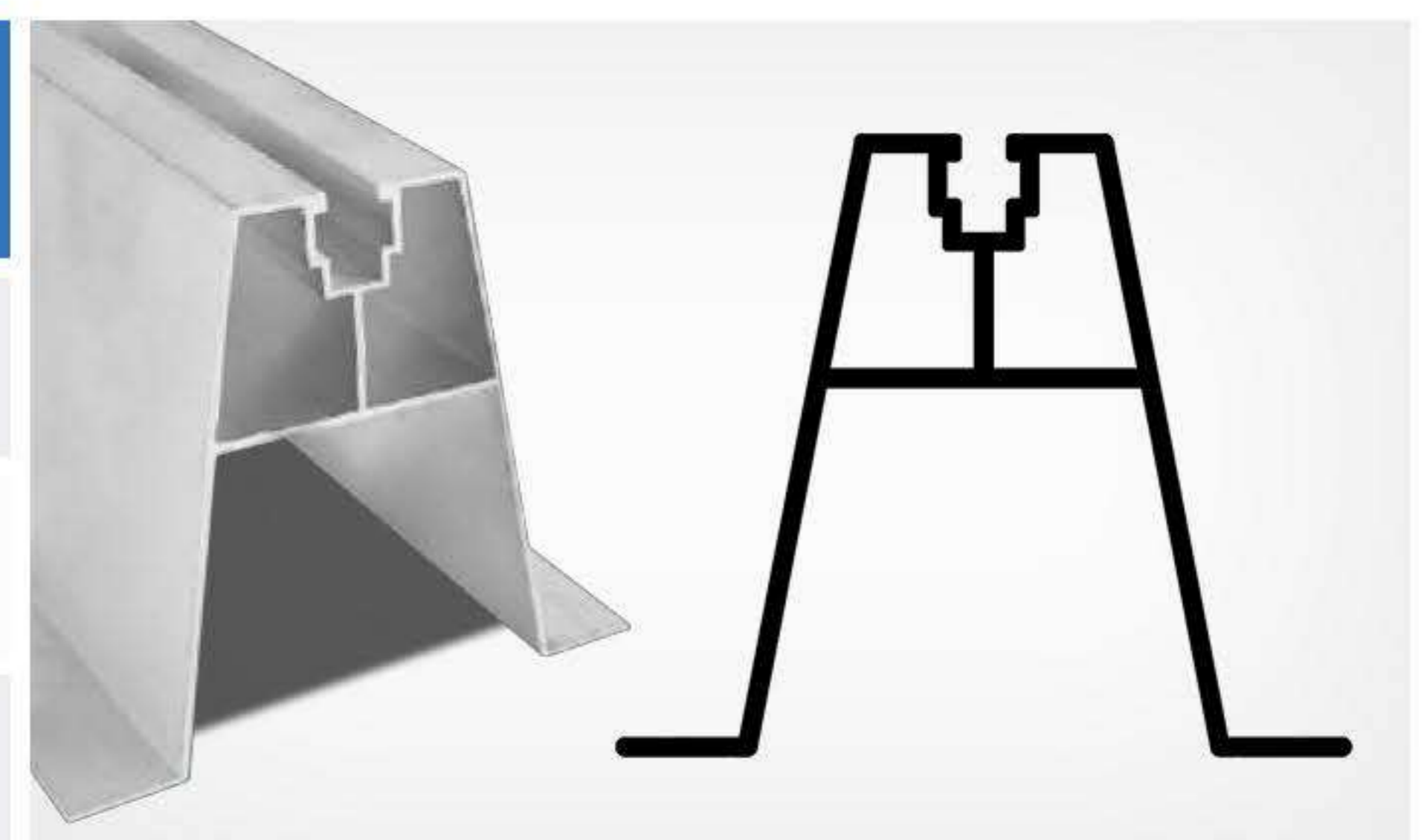
## High trapezoidal bridge: T70

Material	Aluminum
Dimensions (mm)	114 / 70 / 1,7
Weight (kg/m)	1,67



## High trapezoidal bridge: T100

Material	Aluminum
Dimensions (mm)	114 / 70 / 1,7
Weight (kg/m)	1,594



## Allen key bolt: M8 x 20/25/30/35/40

Material	Stainless steel
Height (mm)	20 / 25 / 30 / 35 / 40
Diameter (mm)	8



## Hexagon head bolt: M8 x 20/25/30

Material	Stainless steel
Height (mm)	20 / 25 / 30
Diameter (mm)	8



## Hexagon head bolt: M10 x 20/25/30

Material	Stainless steel
Height (mm)	20 / 25 / 30
Diameter (mm)	10



## T-Bolt: M8 x 20/25/30

Material	Stainless steel
Height (mm)	20 / 25 / 30
Diameter (mm)	8



## T-Bolt: M10 x 20/25/30

Material	Stainless steel
Height (mm)	20 / 25 / 30
Diameter (mm)	10



## Wood screw: M8 x 60/80/100

Material	Stainless steel
Height (mm)	64 / 84 / 104
Diameter (mm)	8



## Square nut M8

Material	Stainless steel
Width / Height (mm)	13 / 6,5
Diameter (mm)	8



## Flange nut M8

Material	Stainless steel
Height (mm)	8
Diameter (mm)	17,9



## Flange nut M10

Material	Stainless steel
Height (mm)	10
Diameter (mm)	21



## Hanger bolt: M10 x 200/250/300

Material	Stainless steel
Width / Height (mm)	20 / 25
Length (mm)	200 / 250 / 300



## Sheet metal screw

Material	Bi-metal
Length / Height (mm)	25 / 30
Diameter (mm)	6



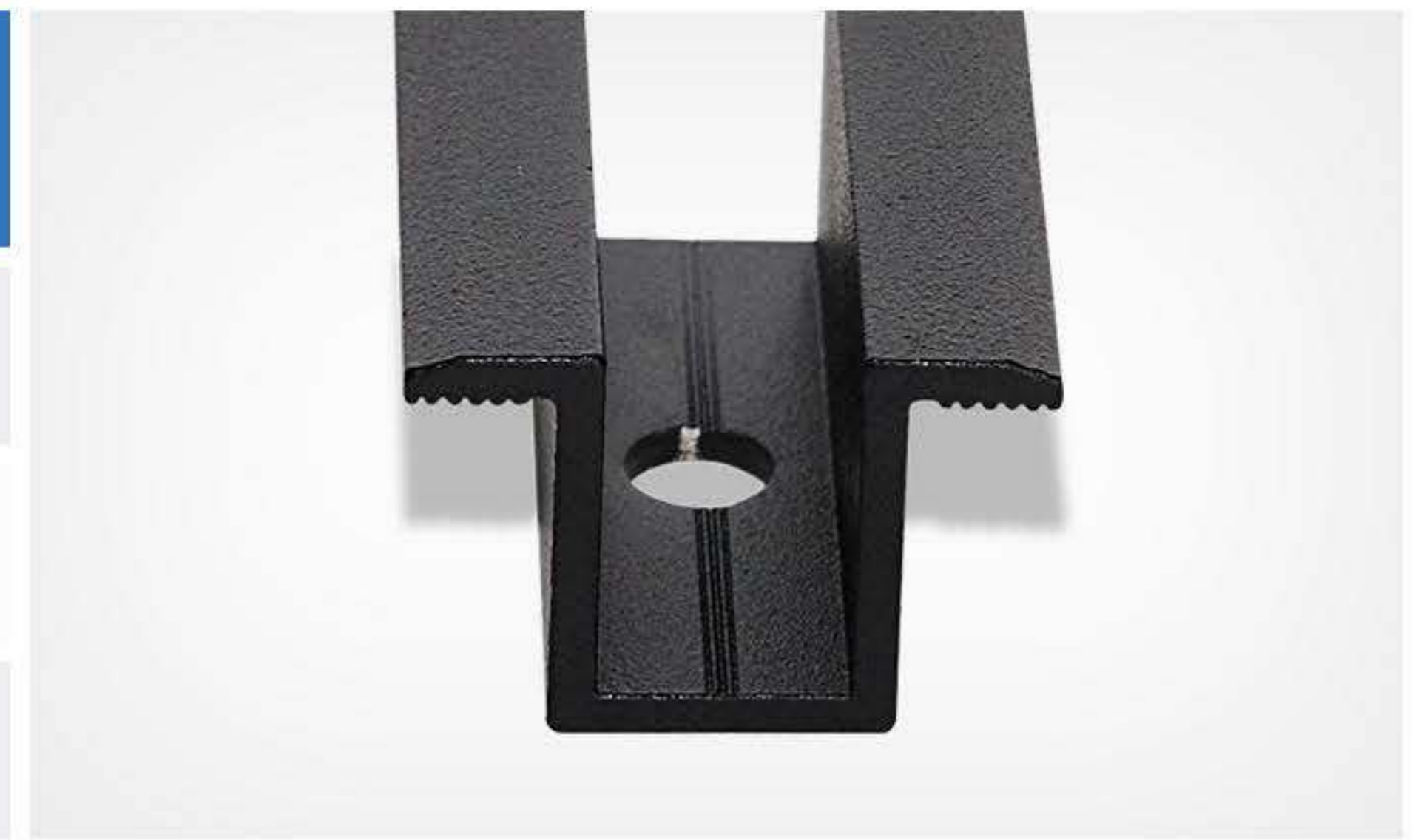
## Plain central clamp

Material	Aluminum
Width / Height (mm)	20 / 25
Length (mm)	50



## Black central clamp

Material	Aluminum
Width / Height (mm)	20 / 25
Length (mm)	50



## Central clamp KLIK (plain, black)

Material	Aluminum
Length / Width (mm)	50 / 35,5
Height (mm)	23



## End clamp: 30/35/40 (plain, black)

Material	Aluminum
Height (mm)	33 / 44
Width (mm)	27



## End clamp KLIK: 30/35/40 (plain, black)

Material	Aluminum
Length / Width (mm)	50 / 33,5
Height (mm)	43,5



## Slot nut

Material	Aluminum
Width / Height (mm)	13 / 10
Length (mm)	22



## Assembly adapter

Material	Stainless steel
Length / width (mm)	81 / 30
Thickness (mm)	4



## Plastic cap: 40x40 black

Material	Plastic
Length / Width (mm)	44
Height (mm)	31



## Plastic cap: 40x40 grey

Material	Plastic
Length / Width (mm)	44
Height (mm)	31



## Grounding plate

Material	Stainless steel
Length / Width (mm)	40
Height (mm)	6



## Fastener for assembly profiles

Material	Aluminum
Length / Width (mm)	120 / 45
Height (mm)	25



## Seamless sheet metal bracket

Material	Stainless steel
Length / Width (mm)	90 / 44
Height (mm)	44



## Holder for profiled sheet

Material	Stainless steel
Length / Width (mm)	90 / 44
Height (mm)	44





## Vario double-adjustable hook

Material	Stainless steel
Length / Width (mm)	195 / 140
Height (mm)	135-175



## Adjustable J roof hook

Material	Stainless steel
Length / Width (mm)	30x4mm
Height (mm)	75-105mm



## Hook for trapezoidal sheet roof

Material	Stainless steel
Length / Width (mm)	65
Height (mm)	56



## S-type roof hook not adjustable/adjustable

Material	Stainless steel
Length / Width (mm)	470, 520 / 30
Height (mm)	4/5



## Horizontal triangle H: 15/25/35 stopni

Material	Aluminum
Length (mm)	827 / 910 / 967
Width (mm)	40
Height (mm)	290 / 446 / 590
Thickness (mm)	3/4
Counter-angle (mm)	1000
Inclination angle (degrees)	15 / 25 / 35



## Vertical triangle V: 15/25/35 degrees

Material	Aluminum
Length (mm)	1318 / 1454 / 1547
Width (mm)	40
Height (mm)	445 / 700 / 935
Thickness (mm)	3/4
Counter-angle (mm)	1600
Inclination angle (degrees)	15 / 25 / 35



## Flat roof bracket

Material	Aluminum
Length (mm)	1240 x 324,5mm
Height (mm)	600 / 324,5mm
Thickness (mm)	5
Inclination angle (degrees)	15





We offer aluminum ground structures, which are elements that allow panels to be mounted on the ground, at the same time they are designed to ensure the safety and stability of the entire system, resistance to adverse weather conditions.

Photovoltaics mounted on the ground, using ground structures for photovoltaic panels is an increasingly popular solution, in this way you can put single panels, as well as a large photovoltaic farm generating huge energy yields. This is ideal for those with undeveloped land, such as farmers.

The pluses of above-ground structures are:

- great ease of positioning the panels so that they have the best exposure to the sun,
- ease of installation,
- ability to install on uneven ground,
- flexibility: ease of expansion with additional modules,
- ease of access in case of maintenance,
- no large regulatory requirements.



## Contact



**Office:**

+48 663 902 282



**E-mail:**

[biuro@pvpolak.pl](mailto:biuro@pvpolak.pl)



**Address:**

ul. Szkolna 15, 42-125 Kamyk

**Warehouse:**

ul. Radomska 6/8, 42-200 Częstochowa